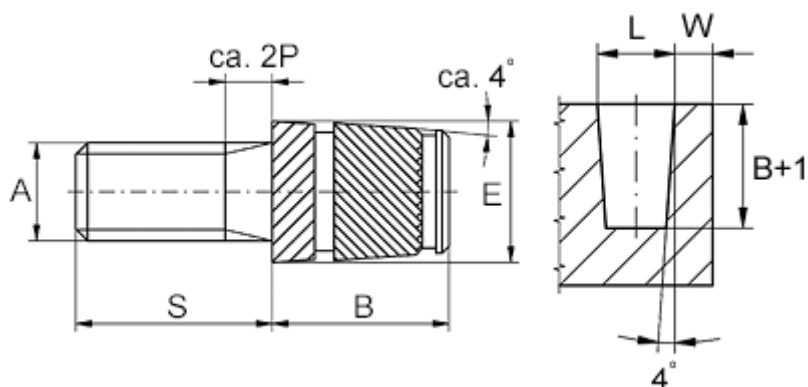


Data Sheet



Article number: 12858100060860
Description: KLEE-coil 858 100 060.860
M6 Brass

Measures



Male thread A	= M6x1
Min distance to edge W	= 2.5
Mounting length B	= 10.0
Outer diameter E	= 8.8
Pin length S	= 16
Recommended bore diameter $W +0.1$	= 8.5